

A Brighter Solution

AMP DISPLAY INC.

SPECIFICATIONS

CUSTOMER	
CUSTOMER PART NO.	
AMP PART NO.	AT-160160A(controller)
APPROVED BY	
DATE	

Approved For Specifications

Approved For Specifications & Sample

AMP DISPLAY INC

9856 SIXTH STREET RANCHO CUCAMONGA CA 91730

TEL: 909-980-13410 FAX: 909-980-1419

WWW.AMPDISPLAY.COM

APPROVED BY	CHECKED BY	ORGANIZED BY

Date : 2006/9/8

RECORD OF REVISION

Revision Date	Pages	Contents	Editor
1999/9/25	-	New Release	-
2000/6/8	-	Add the T/P controller option	-
2000/6/30	-	Modify the Supply Current (Page 5)	-
	-	Add the ZIF connector recommendation (Page 9)	-
2000/9/28	-	Change the driver to NT7701	-
2006/9/8	--	Modify Mechanical data and EL Back-light Electrical	Tony
	3,5	Specification	

1 FEATURES

- (1) Display format : 160 × 160 dot-matrix
- (2) Construction : FSTN LCD, TAB IC and PCB.
- (3) Option : EL backlight, EL driver, Touch Panel, T/P controller MK715.
- (4) Controller : RA8835 ;
- (5) 5V or 3.3V single power input. Built-in DC/DC converter for LCD driving. (Special order if not need the DC/DC converter)
- (6) Normal / Extended temperature type.
- (7) 80 or 68 Family MPU Selectable by Jumper Setting

2 NUMBERING SYSTEM

AT-160160A _ _ _ _ - _ - _
1 2 3 4 5 6

No	Code Value	Description	Remark
1	F	FSTN type LCD	LCD Type
2	A	Reflective type / 6:00 view	Polarizer / Viewing Angel
	B	Reflective type / 12:00 view	
	I	Transflective type / 6:00 view	
	J	Transflective type / 12:00 view	
	T	Negative type / 6:00 view	
	U	Negative type / 12:00 view	
3	None	Without backlight	Backlight type
	E	EL	
4	None	Without backlight	Backlight color
	B	Blue	
	W	White	
5	51	None	EL driver & Touch Panel option * If the T/P controller MK715 is needed, please indicate while ordering.
	53	With EL driver	
	T51	With Touch Panel	
	T53	With EL driver & Touch Panel	
6	None	Normal temperature type	LCM temperature type
	H	Extended temperature type	

3 MECHANICAL DATA

Parameter	Stand Value	Unit
Dot size	0.33(W) × 0.33(H)	mm
Dot pitch	0.35(W) × 0.35(H)	mm
Viewing area	60.1(W) × 60.0(H)	mm
Module size	69.0(W) × 69.5(H) × 6.0 max (T)	mm
Module size (EL back-light)	69.0(W) × 69.5(H) × 6.6 max (T)	mm
Module size (w/ Touch panel)	69.0(W) × 69.5(H) × 8.0 max (T)	mm

4 ABSOLUTE MAXIMUM RATINGS

Parameter		Symbol	Min	Max	Unit
Logic Circuit Supply Voltage		VDD-VSS	-0.3	7.0	V
LCD Driving Voltage		VADJ-VSS	-0.3	26.0	V
Input Voltage		VI	-0.3	VDD+0.3	V
Normal temp. type	Operating Temp.	TOP	0	50	°C
	Storage Temp.	TSTG	-20	70	°C
Extended temp. type	Operating Temp.	TOP	-20	70	°C
	Storage Temp.	TSTG	-30	80	°C

5 ELECTRO-OPTICAL CHARACTERISTICS

Parameter	Symbol	Condition	Min	Typ	Max	Unit	Note
----- Electronic Characteristics -----							
Logic Circuit Supply Voltage	VDD-VSS	--	2.7	--	5.5	V	
LCD Driving Voltage	VADJ-VSS	25°C	--	19.0	--	V	
Input Voltage	VIH	--	0.8 VDD	--	VDD	V	
	VIL	--	VSS	--	0.2 VDD	V	
Logic Supply Current	IDD	VDD = 5V	35	40	45	mA	
Supply Current for EL driver		VDD = 5V	--	40	--	mA	
----- Optical Characteristics -----							
Contrast	CR	25°C	7.1	7.25	7.38		Note 1
Rise Time	Tr	25°C	266	280	302	ms	Note 2
Fall Time	Tf	25°C	87	94	98	ms	
Viewing Angle Range	θ f	25°C & CR≥2	42	43	44	Deg.	Note 3
	θ b		31	33	34		
	θ l		38	38	38		
	θ r		37	37	38		
Frame Frequency	fF	25°C	--	64	--	Hz	

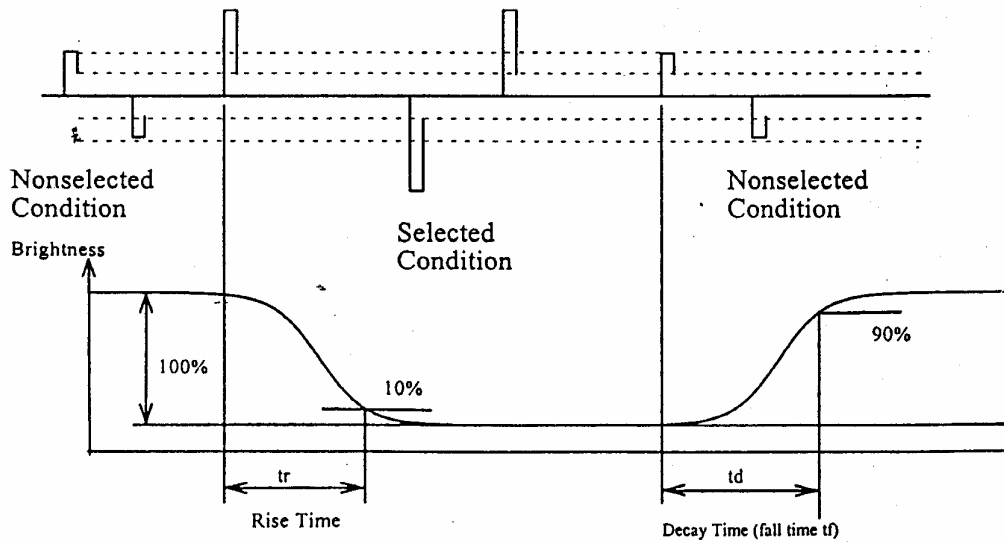
5.1 EL Back-light Electrical Specification

Parameter	Specification	Unit
Color	Blue / White	-
Voltage	Vrms = 60	V(AC)
Frequency	Sine Wave = 380	Hz
Current Density	0.12	mA / cm ²
Bare EL Initial Brightness	15	cd / m ²
LCM Initial Brightness	3	cd / m ²

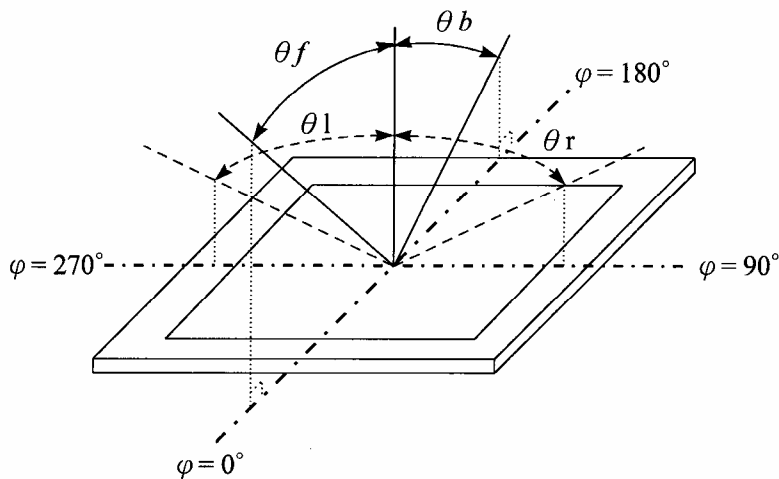
(NOTE 1) Contrast ratio :

$$CR = (\text{Brightness in OFF state}) / (\text{Brightness in ON state})$$

(NOTE 2) Response time :



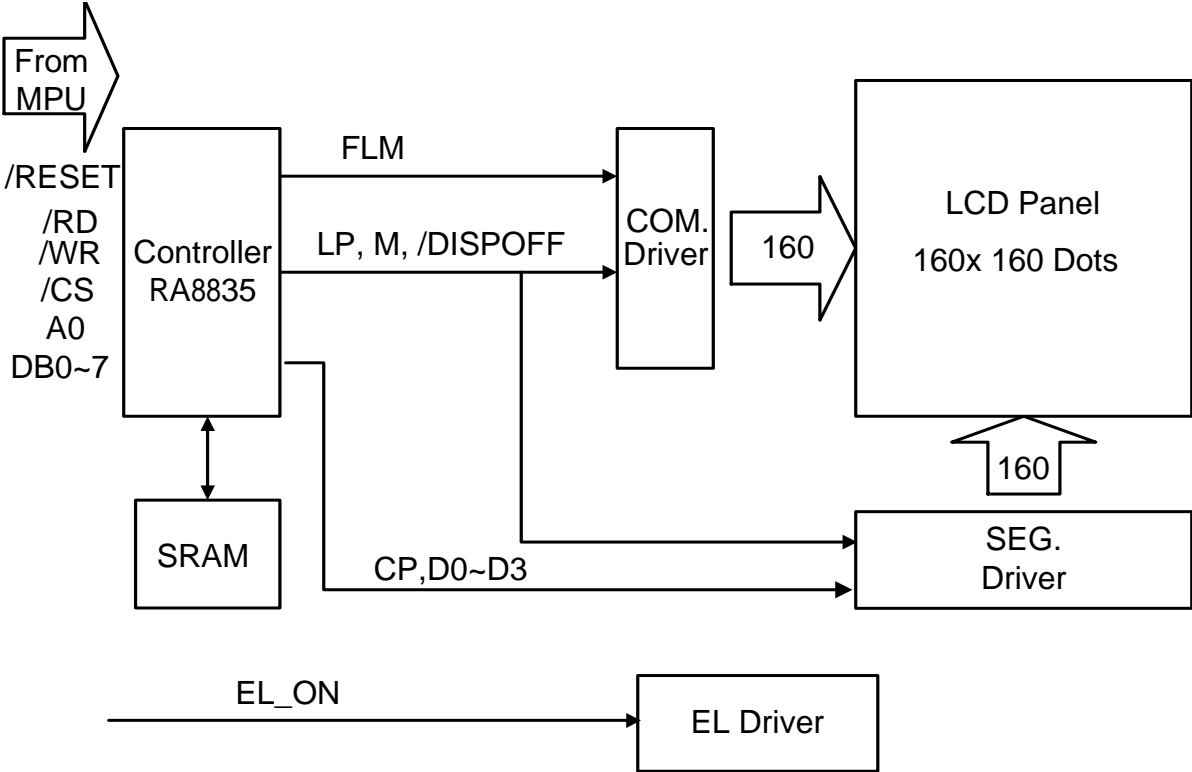
(NOTE 3) Viewing angle



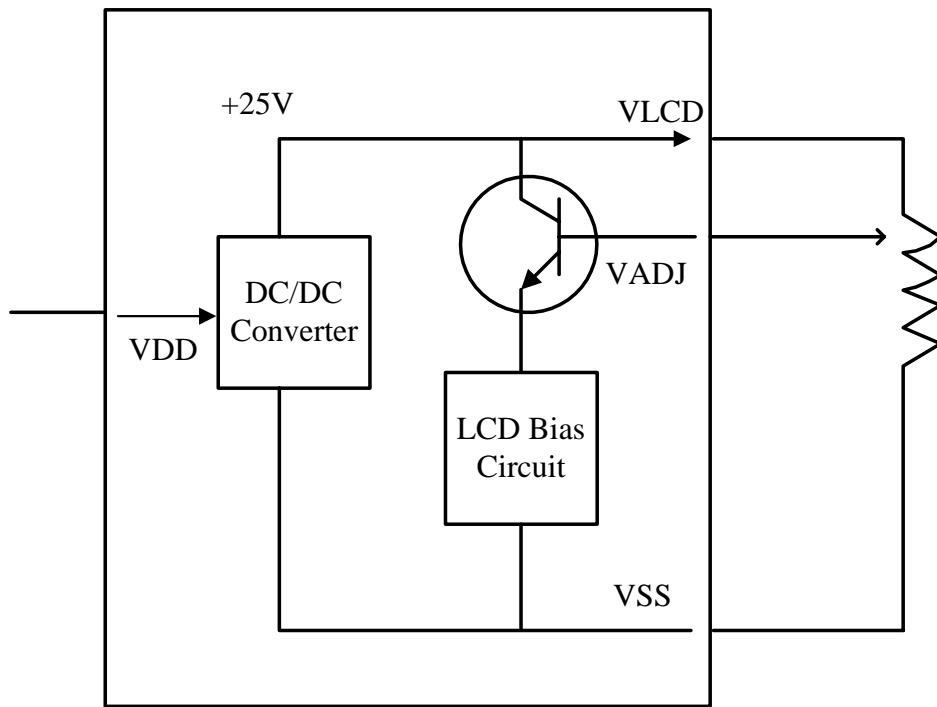
5.2 Touch Panel Electrical Specification

Parameter	Specification	Condition
ON Resistance	351 Ω ~ 702 Ω	X Axis
	154 Ω ~ 893 Ω	Y Axis
Insulating Resistance	More than 20M Ω	DC 25 V
Chattering	Less Than 10 ms	DC 5V, Load of resistance(1mA), switching Time 2m/sec
Endurable Voltage	25 V for 1 min	

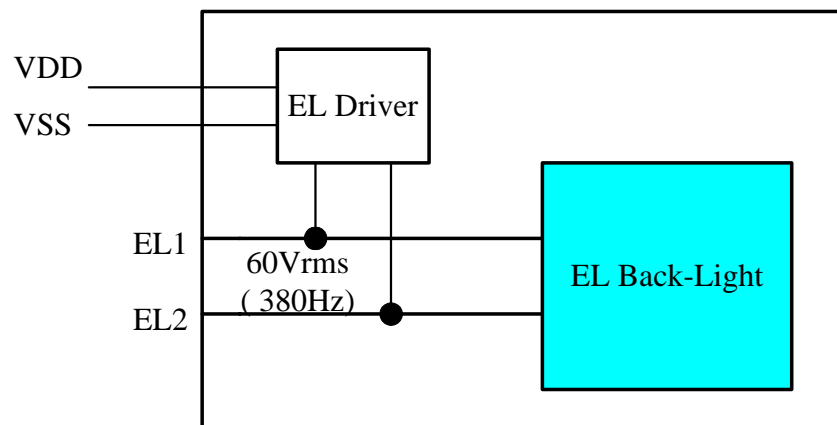
6 BLOCK DIAGRAM



7 POWER SUPPLY CIRCUIT



While using EL back-light



8 INTERFACE DEFINITION

CN1: Interface of pure driver (No Use in this LCM)

PIN NO.	SIGNAL	LEVEL	FUNCTION
1~20	NC	-	No Connection

CN3: LCM with Built-In Controller

PIN NO.	SIGNAL	LEVEL	FUNCTION
1	/RESET	H/L	Reset Signal
2	/RD	H/L	80 Series: Read Signal 68 Series: Enable Signal(E)
3	/WR	H/L	80 Series: Write Signal 68 Series: R/W Signal
4	/CS	H/L	Chip Select Signal
5	A0	H/L	Data Type Selection
6 ~ 13	DB0~DB7	H/L	Data Input(8 bits)
14	VDD	-	Power Supply for Logic(+5.0V)
15	VSS	-	Power Supply(Ground : 0V)
16	VLCD	-	Positive voltage output (+25V)
17	VADJ		Contrast Adjustment Input (VADJ-VSS = LCD driving voltage)
18	EL_ON	H/L	EL On/Off Signal; H: EL On L: EL Off
19*	SK / X1	-	Serial Clock Touch Panel Right Signal in X Axis
20*	DO / X2	-	Data Output Touch Panel Left Signal in X Axis
21*	DI / Y1	-	Data In Touch Panel Upper Signal in Y Axis
22*	CS / Y2	-	Chip Select Touch Panel Lower Signal in Y Axis
23*	INT	-	Interrupt
24	NC	-	No Connection

* 19~23 : SK, DO, DI, CS, INT for Touch Panel controller MK715

/ X1, X2, Y1, Y2 for Touch Panel (without MK715)

Recommended ZIF Connector for CN3 : 24 pin / Molex 52207-2490 / Top contact

9 TIMING CHARACTERISTICS

9.1 8080 Family Interface Timing

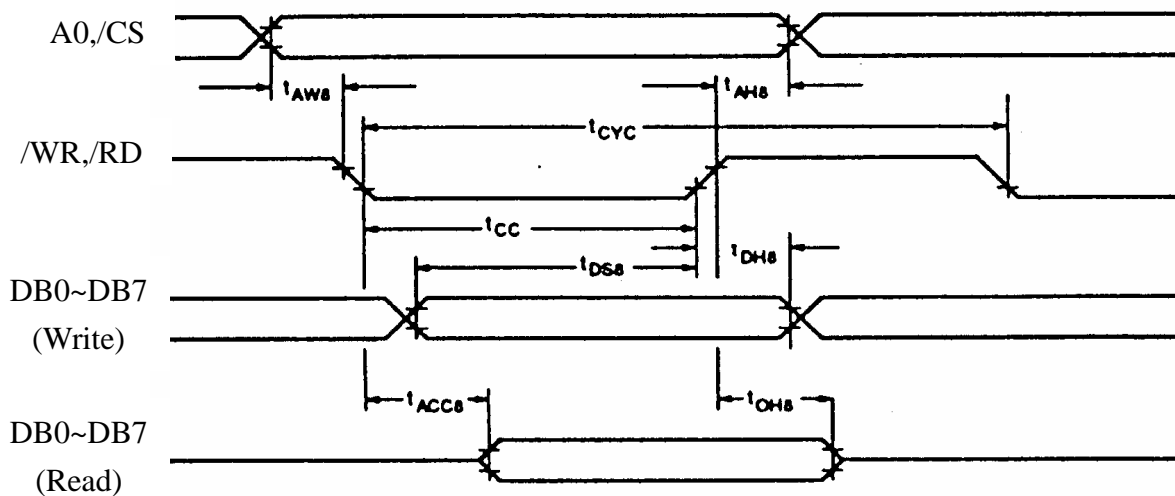
Parameter	Condition	Symbol	Min	Max	Unit	Remark
Address Hold Time	CL=100 pF VDD=2.7~4.5	tAH8	10		ns	A0,/CS
Address Setup Time		tAW8	0		ns	
System Cycle Time		tCYC	Note		ns	/WR,/RD
Strobe Pulse Width		tOC	150		ns	
Data Setup Time		tDS8	120		ns	DB0~DB7
Data Hold Time		tDH8	5		ns	
/RD Access Time		tACC8	-	80	ns	
Output Disable Time		tOH8	10	55	ns	

Note: For memory control and system control commands:

$$t_{CYC8} = 2t_C + t_{OC} + t_{CEA} + 75 > t_{ACV} + 245$$

For all other commands:

$$t_{CYC8} = 4t_C + t_{OC} + 30$$



9.2 6800 Family Interface Timing

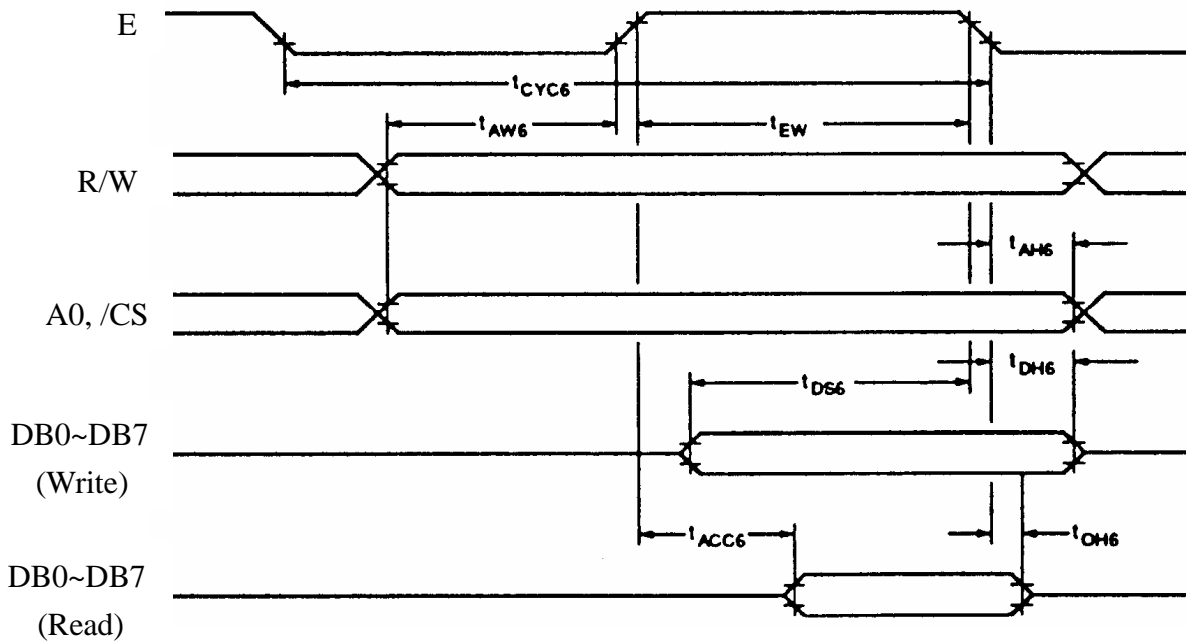
Parameter	Condition	Symbol	Min	Max	Unit	Remark
System Cycle Time	CL=100 pF VDD=2.7~4.5	tCYC6	Note		ns	A0,/CS, R/W
Address Setup Time		tAW6	10		ns	
Address Hold Time		tAH6	0		ns	
Data Setup Time		tDS6	120		ns	DB0~DB7
Data Hold Time		tDH6	0		ns	
Output Disable Time		tOH6	10	75	ns	
Access Time		tACC6	-	130	ns	
Enable Pulsewidth		tEW	150	-	ns	E

Note: For memory control and system control commands:

$$t_{CYC6} = 2t_C + t_{EW} + t_{CEA} + 75 > t_{ACV} + 245$$

For all other commands:

$$t_{CYC6} = 4t_C + t_{EW} + 30$$



AC Electrical Characteristics

10 INSTRUCTION SET

Class	Command	Code											Hex	Command Description	Command read parameters	
		/RD	/WR	A0	D7	D6	D5	D4	D3	D2	D1	D0			Number of bytes	Section
System Control	SYSTEM SET	1	0	1	0	1	0	0	0	0	0	0	40	Initialized Device and display	8	8.2.1
	SLEEP IN	1	0	1	0	1	0	1	0	0	1	1	53	Enter Standby mode	0	8.2.2
Display Control	DISP ON/OFF	1	0	1	0	1	0	1	1	0	0	D	58, 59	Enable and disable display and display flashing	1	8.3.1
	SCROLL	1	0	1	0	1	0	0	0	1	0	0	44	set Display start address and display regions	10	8.3.2
	CSRFORM	1	0	1	0	1	0	1	1	1	0	1	5D	Set cursor byte	2	8.3.3
	CGRAM ADDR.	1	0	1	0	1	0	1	1	1	0	0	5C	Set start address of character generator RAM	2	8.3.6
	CSRDIR	1	0	1	0	1	0	0	1	1	CD 1	CD 0	4C to 4F	Set direction of cursor movement	0	8.3.4
	HDOT SCR	1	0	1	0	1	0	1	1		1	0	5A	set horizontal scroll position	1	8.3.7
	OVLAY	1	0	1	0	1	0	1	1	0	1	1	5B	set display overlay format	1	8.3.5
Drawing Control	CSRW	1	0	1	0	1	0	0	0	1	1	0	46	set cursor address	2	8.4.1
	CSRR	1	0	1	0	1	0	0	0	1	1	1	47	read cursor address	2	8.4.2
Memory Control	MWRITE	1	0	1	0	1	0	0	0	0	1	0	42	write to display memory	-	8.5.1
	MREAD	1	0	1	0	1	0	0	0	0	1	1	43	read from display memory	-	8.5.2

Note:

- In general, the internal registers of the RA8835 are modified as each command parameter is input. However, the microprocessor does not have to set all the parameters of a command and may send a new command before all parameters have been input. The internal registers for the parameters that have been input will have been changed but the remaining parameter registers are unchanged.
 - 2 bytes parameters(where two bytes are treated as 1 data item) are handled as following:
 - CSRW, CSRR: Each byte is processed individually. The microprocessor may read or write just the low byte of the cursor address.
 - SYSTEM SET, SCROLL, CGRAM ADR. : Both parameter bytes are processed together. If the command is changed after half of the parameter has been input, the single byte is ignored.
- APL and APH are 2-byte parameters, but are treated as two 1-byte parameters.
- Please refer to RA8835 LCD Controller Data Book for detail.

11 JUMPER SETTING

Item	Option	Jumper Setting
MPU	80 family (default)	Pin 1,2 short & Pin 2,3 open on JP3
	68 family	Pin 2,3 short & Pin 1,2 open on JP3

12 QUALITY AND RELIABILITY

12.1 TEST CONDITIONS

Tests should be conducted under the following conditions :

Ambient temperature : $25 \pm 5^{\circ}\text{C}$

Humidity : $60 \pm 25\% \text{ RH}$.

12.2 SAMPLING PLAN

Sampling method shall be in accordance with MIL-STD-105E , level II, normal single sampling plan .

12.3 ACCEPTABLE QUALITY LEVEL

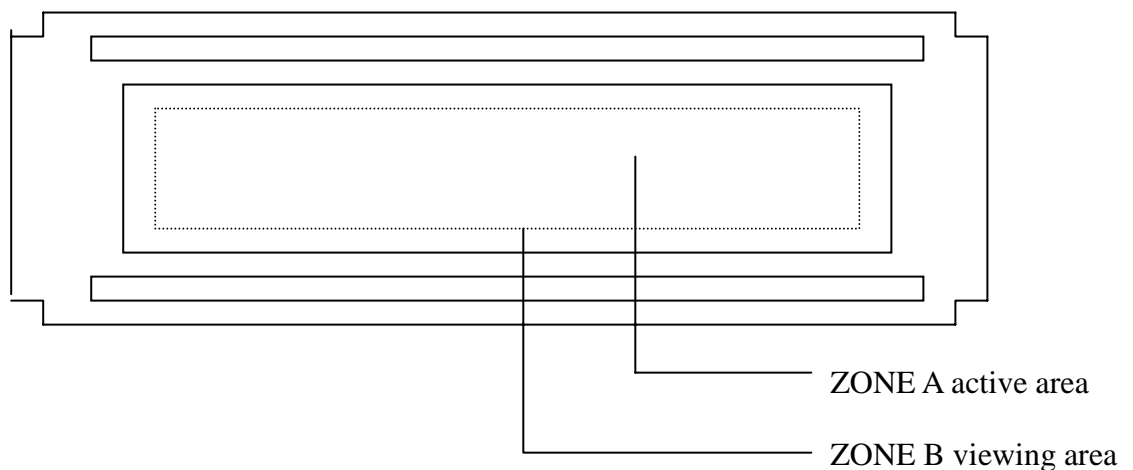
A major defect is defined as one that could cause failure to or materially reduce the usability of the unit for its intended purpose. A minor defect is one that does not materially reduce the usability of the unit for its intended purpose or is an infringement from established standards and has no significant bearing on its effective use or operation.

12.4 APPEARANCE

An appearance test should be conducted by human sight at approximately 30 cm distance from the LCD module under flourescent light. The inspection area of LCD panel shall be within the range of following limits.

12.5 INSPECTION QUALITY CRITERIA

Item	Description of defects			Class of Defects	Acceptable level (%)
Function	Short circuit or Pattern cut			Major	0.65
Dimension	Deviation from drawings			Major	1.5
Black spots	Ave . dia . D	area A	area B	Minor	2.5
	$D \leq 0.2$	Disregard			
	$0.2 < D \leq 0.3$	3	4		
	$0.3 < D \leq 0.4$	2	3		
	$0.4 < D$	0	1		
Black lines	Width W, Length L	A	B	Minor	2.5
	$W \leq 0.03$	disregard			
	$0.03 < W \leq 0.05$	3	4		
	$0.05 < W \leq 0.07, L \leq 3.0$	1	1		
	See line criteria				
Bubbles in polarizer	Average diameter D $0.2 < D < 0.5$ mm for N = 4 , D > 0.5 for N = 1			Minor	2.5
Color uniformity	Rainbow color or newton ring.			Minor	2.5
Glass Scratches	Obvious visible damage.			Minor	2.5
Contrast ratio	See note 1			Minor	2.5
Response time	See note 2			Minor	2.5
Viewing angle	See note 3			Minor	2.5



12.6 RELIABILITY

Test Item	Test Conditions		Note
	Normal Temp. type	Extended Temp. type	
High Temperature Operation	50±3°C , t=96 hrs	70±3°C , t=96 hrs	
Low Temperature Operation	0±3°C , t=96 hrs	-20±3°C , t=96 hrs	
High Temperature Storage	70±3°C , t=96 hrs	80±3°C , t=96 hrs	1,2
Low Temperature Storage	-20±3°C , t=96 hrs	-30±3°C , t=96 hrs	1,2
Temperature Cycle	-20°C ~ 25°C ~ 70°C 30 m in. 5 min. 30 min. (1 cycle) Total 5 cycle	-30°C ~ 25°C ~ 80°C 30 min. 5 min. 30 min. (1 cycle) Total 5 cycle	1,2
Humidity Test	40 °C, Humidity 90%, 96 hrs		1,2
Vibration Test (Packing)	Sweep frequency : 10 ~ 55 ~ 10 Hz/1min Amplitude : 0.75mm Test direction : X.Y.Z/3 axis Duration : 30min/each axis		2

Note 1 : Condensation of water is not permitted on the module.

Note 2 : The module should be inspected after 1 hour storage in normal conditions
(15-35°C , 45-65%RH).

Definitions of life end point :

- Current drain should be smaller than the specific value.
- Function of the module should be maintained.
- Appearance and display quality should not have degraded noticeably.
- Contrast ratio should be greater than 50% of the initial value.

13 HANDLING PRECAUTIONS

- (1) A LCD module is a fragile item and should not be subjected to strong mechanical shocks.
- (2) Avoid applying pressure to the module surface. This will distort the glass and cause a change in color.
- (3) Under no circumstances should the position of the bezel tabs or their shape be modified.
- (4) Do not modify the display PCB in either shape or positioning of components.
- (5) Do not modify or move location of the zebra or heat seal connectors.
- (6) The device should only be soldered to during interfacing. Modification to other areas of the board should not be carried out.
- (7) In the event of LCD breakage and resultant leakage of fluid do not inhale, ingest or make contact with the skin. If contact is made rinse immediately.
- (8) When cleaning the module use a soft damp cloth with a mild solvent, such as Isopropyl or Ethyl alcohol. The use of water, ketone or aromatic is not permitted.
- (9) Prior to initial power up input signals should not be applied.
- (10) Protect the module against static electricity and observe appropriate anti-static precautions.

14 OUTLINE DIMENSION

